

PRORIL

60Hz

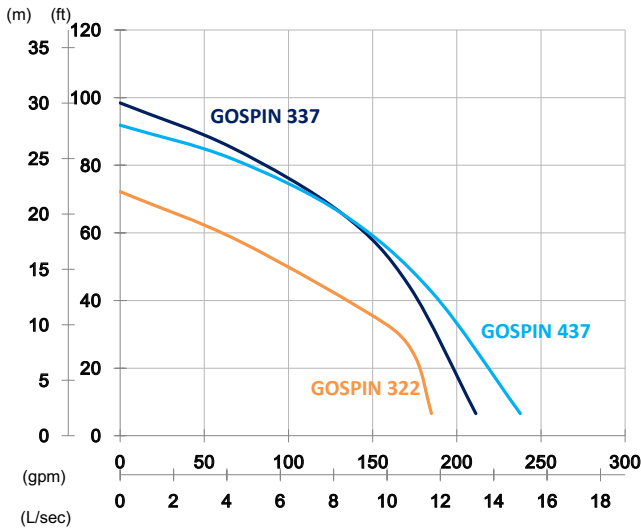
GOSPIN Series, the classical drainage pumps with strainer and rigid casting are engineered for various effluent pumping applications in commercial and industrial sectors.

Sewage Pump

GOSPIN 322/337/437

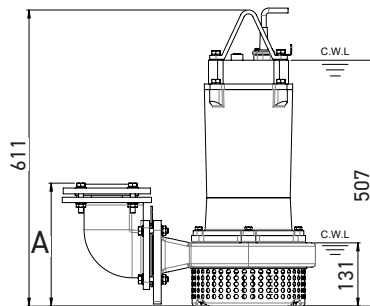
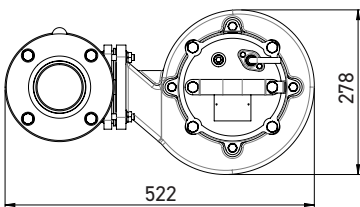
Drainage Pump





| | GOSPIN 322 | GOSPIN 337 | GOSPIN 437 |
|----------------------|--|---|---|
| OUTPUT | 3 HP (2.2 kW) | 5 HP (3.7 kW) | 5 HP (3.7 kW) |
| OUTLET | 3" (80 mm) | 3" (80 mm) | 4" (100 mm) |
| SOLID PASSAGE | 0.4" (9 mm) | 0.4" (9 mm) | 0.4" (9 mm) |
| Weight | 112 lbs/51 kg | 123 lbs/56 kg | 123 lbs/56 kg |
| HEAD | Rated: 33 ft, 10 m Max: 72 ft, 22 m | Rated: 66 ft, 20 m Max: 98 ft, 30 m | Rated: 66 ft, 20 m Max: 92 ft, 28 m |
| FLOW | Rated: 159 gpm, 10 L/s Max: 185 gpm, 11.7 L/s | Rated: 132 gpm, 8.3 L/s Max: 211 gpm, 13.3 L/s | Rated: 132 gpm, 8.3 L/s Max: 238 gpm, 15 L/s |

| | | |
|--------------------------------|-------------------------------------|-----------------------------------|
| Pump Type | Electric Submersible Pumps | |
| Motor | Phase | 3-Phase |
| | Type | Induction Motor |
| | Poles | 2 Pole (3450 rpm) |
| | Insulation | Class F |
| | Protector | Circle Thermal Protector |
| | Starter | D.O.L. |
| Lubricant | Food Grade (ISO VG32) | |
| Specs. | Impeller Type | Semi-Open |
| | Shaft Seal | Double Mechanical Seal |
| | | Silicon Carbide VS Ceramic/Carbon |
| | Bearings | C3 Shielded ball bearings |
| Cable | CSA-Certified PVC Jacketed Cables | |
| | 33 ft (10 m) or longer upon request | |
| Materials | Pump Casing | Gray Iron |
| | Impeller | Gray Iron |
| | Motor Frame | Gray Iron |
| | Motor Shaft | Stainless Steel |
| Strainer | Stainless Steel | |
| Max. Liquid Temperature | 40°C (104°F) | |
| Max. Submersion Depth | 20 m (66 ft) | |
| pH Range | pH 5 - pH 8 | |
| Guide Rail | GRF-03 (322/337)/GRF-04 (437) | |



| | A |
|------------|-----|
| GOSPIN 322 | 256 |
| GOSPIN 337 | 256 |
| GOSPIN 437 | 265 |

unit : mm
C.W.L : Continuous running water level
L.W.L : Lowest running water level